

Specification sheet LX 1344

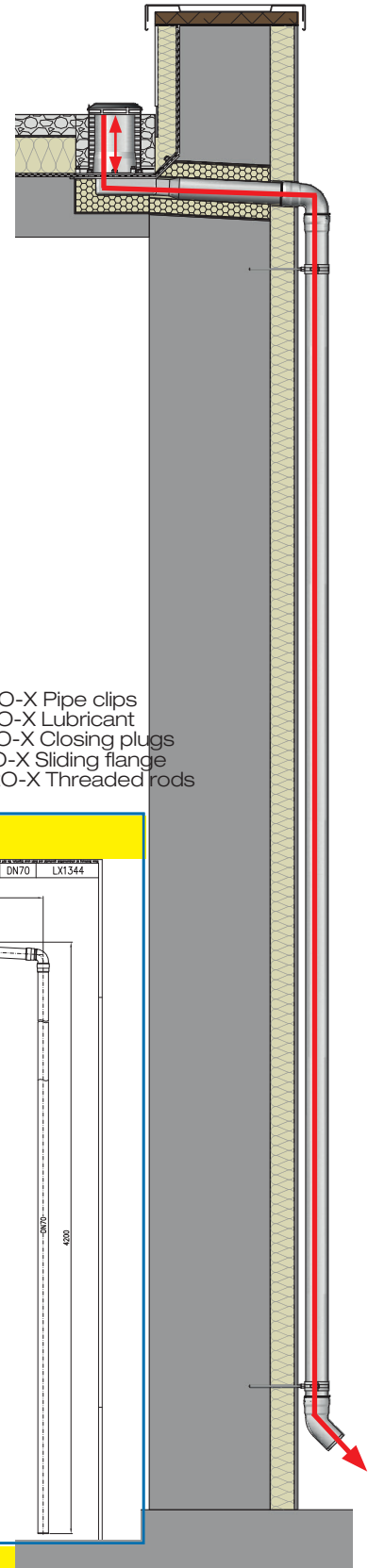
Parapet drainage
Series 89 RAINSTAR®
 penetration depth 55 mm,
 for inverted roofs

Emergency drainage

Gravity flow

Silent Power

Discharge rate:	3,5 l/sec
Water height:	75 mm
Roof penetration:	55
Diameter:	DN 70
LX-Number:	LX 1344
Weir height:	55 mm
Drain:	ventilated
Downpipe:	ventilated
Downpipe height:	4,2 m
Drainage:	on floor
Flange:	clamping flange 45°

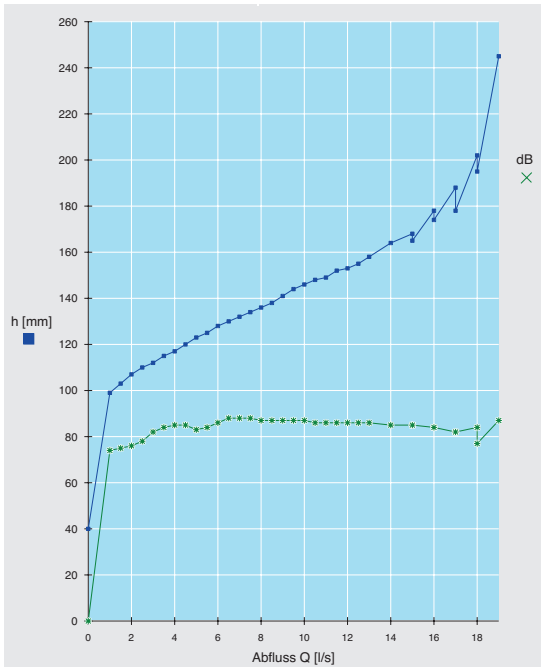


LX 1344 Piece list

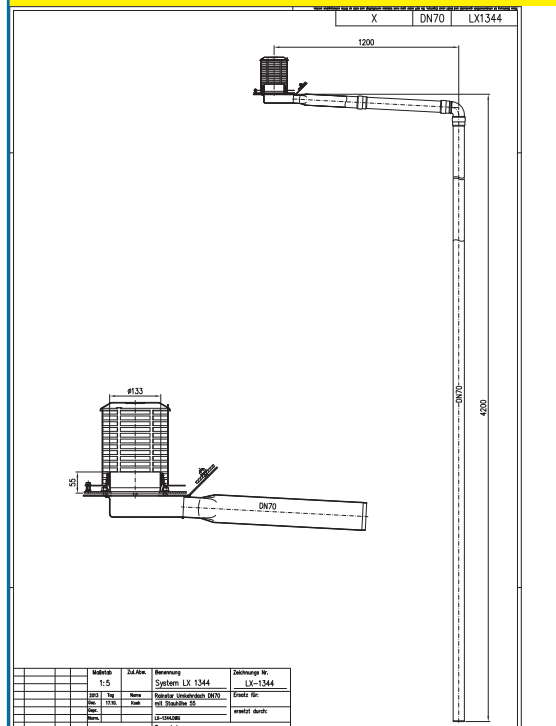
- 1 x Art.-No. 13628.070X, RAINSTAR for inverted roofs
- 1 x Art.-No. 01301.070X, LORO-X Pipe with one socket
- 1 x Art.-No. 00500.070X, LORO-X Bend
- 1 x Art.-No. 01011.070X, LORO-X Pipe with one socket
- 1 x Art.-No. 00320.070X, LORO-X Bend
- 4 x Art.-No. 00911.070X, LORO-X Sealing elements

- 3 x Art.-No. 00973.070X, LORO-X Pipe clips
- 1 x Art.-No. 00986.000X, LORO-X Lubricant
- 1 x Art.-No. 00805.070X, LORO-X Closing plugs
- 1 x Art.-No. 13235.070X, LORO-X Sliding flange
- 3 x Art.-No. 09603.200X, LORO-X Threaded rods

hQ - Head Discharge curve



CAD



Systempower

Systemshape

Water height	mm	55	60	65	70	75	80	90	100	110	120	130	140	150	160	170
Discharge	l/sec	0,9	1,1	1,8	2,5	3,5	4,5	6,5	8,9	11,1	13,3	15,4	16,5	17,5	18,1	
Silent Power																

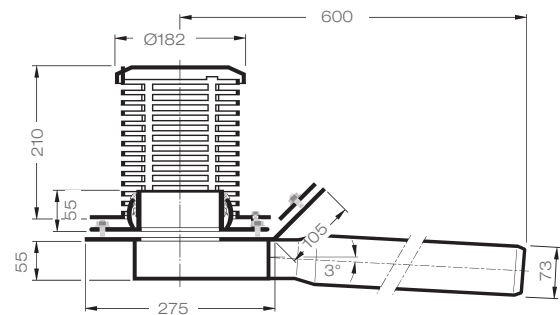
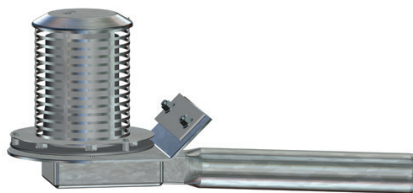
Series 89
LORO-X RAINSTAR® penetration depth 55 mm
parapet **emergency drainage** for inverted roofs

LX1344-2X**Series 89**

Ablauf Art.-No. 13628.070X

Weight: 7,2 kg

with clamping flange 45°
with roof penetration of 55 mm
for bituminous roofing sheets



Heat tracing: LOROWERK recommends to check all drains and pipes with regard to their frost-sensibility. Where necessary, these parts should be upgraded with heat tracing.